

### Application

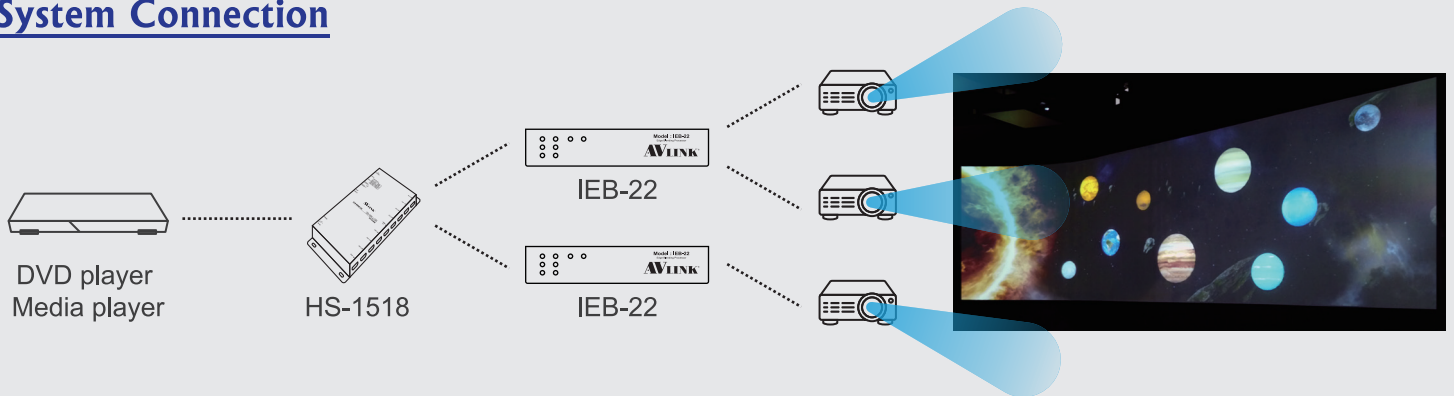


Curved edge-blending



L-Shape edge-blending

### System Connection



### SPECIFICATIONS

	IEB-22
HDMI Input Connector(A-Type Female)	2
HDMI Output Connector(A-Type Female)	2
Max. Resolution	1080P
Cable Distance(HDMI to Monitor)	Output 7M
Signal Type	Standard HDMI Signal
Power	DC / 12V
Housing	Metal



IEB-22

### Features

- Four edges blending up to 15x15 matrix display from single signal,splitter is required.
- Only support 1080p RGB/YCbCr 4:4:4 Source input. Support UHD 4K@60 input with AVLink Splitter HS-1518IW
- Precise geometry alignment, max. up to 9x9 grid pattern.
- Image PIP, rotation and warping.
- For curved, 360 degrees and irregular surface edge-blending.
- Easy to achieve super resolution edge-blending
- Precise gamma and color fine-tune in edge blending region